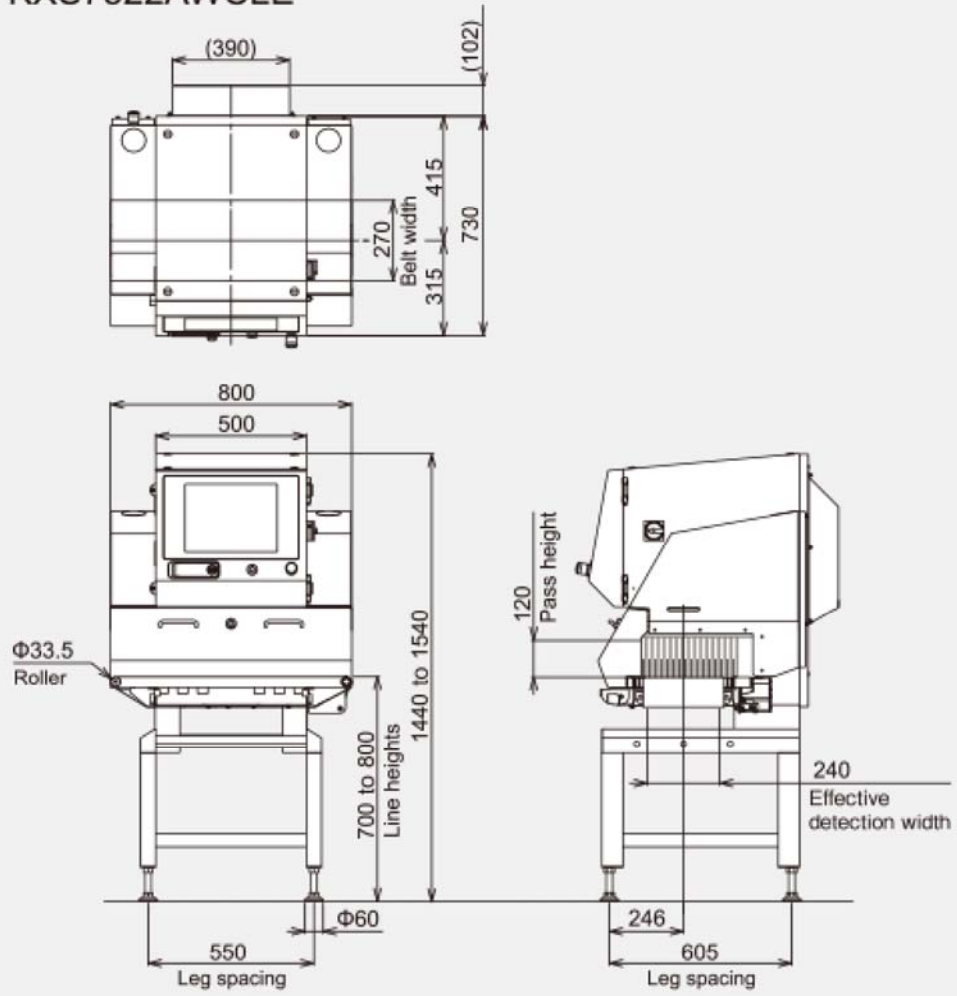


# KXS7522AWCLE



Units : mm

## External Dimensions

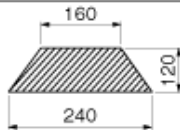
Model	KXS7522AWCLE
X-ray output	Tube voltage 30 to 80 kV, tube current 0.4 to 3.3 mA output 12 to 100 W
Safety	X-ray leakage maximum 1.0 $\mu$ Sv/h or less, prevention of x-ray leakage by safety devices
Display	15-inch color TFT LCD
Operation method	Touch panel (with touch buzzer)
Product size <sup>1, 2</sup>	Maximum width 240 mm, maximum height 120 mm
Belt width	270 mm
Preset memory	200
Belt speed <sup>3</sup> / Maximum product weight <sup>4</sup>	10 to 60 m/min maximum 5 kg 60 to 90 m/min maximum 2 kg 0 to 40 m/min maximum 10 kg (optional)
Power requirements <sup>5</sup>	100 to 240 AC, single phase, 50/60Hz, 700 VA or less (standard)
Mass <sup>6</sup>	225 kg
Environmental conditions <sup>7</sup>	Temperature: 0° to 35°C, Relative humidity: 30% to 85% non-condensing
Protection class	Conveyor IP66, other parts IP40
Exterior	Stainless steel (SUS304)

1: The detectable area is shown above. 2: The entrance and exit may require covers depending on the length of a product. 3: Variable depending on Product No. 4: Sum total of product weight on the conveyor. 5: Allowable power fluctuation range in  $\pm 10\%$ . 6: Mass without option 7: Belt speed and maximum product weight are restricted at the temperature between 30°C and 35°C.

## Detection areas

The XR75 series is available in a variety of models to suit a wide range of products. For more details, please submit an online inquiry form.

s

Model	Detection area
KXS7522AWCLE/AVCLE	
KXS7534AWCLE/AVCLE	